

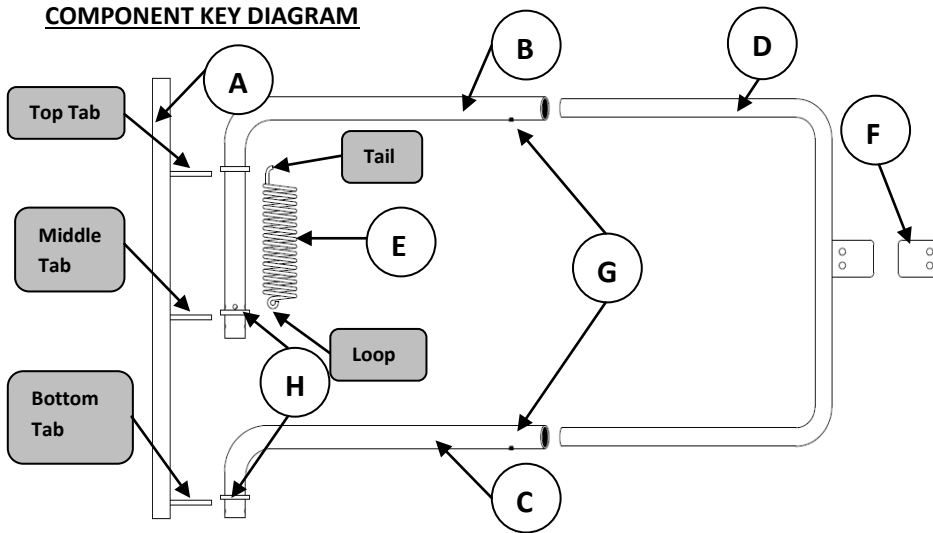
# SGS-R Safety Gate "Easy Mount" Assembly Instructions

Manufactured by: Brennan Equipment & Mfg, Inc. / 730 Central Ave / University Park, IL 60484

Thank you for purchasing this high-quality, commercial-grade versatile safety gate. This gate has been constructed with heavy gauge steel and powder-coated to withstand the toughest commercial and industrial environments. Please follow the instructions below to install your "Easy Mount" Gate Kit.

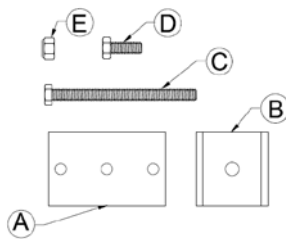


## COMPONENT KEY DIAGRAM



A	MOUNTING RAIL
B	TOP HINGE TUBE
C	BOTTOM HINGE TUBE
D	FRAME
E	SPRING
F	STRIKER TAB
G	SET SCREWS
H	SPACER

## EASY MOUNT KIT COMPONENTS



A	CLAMP PLATE (4 PCS)
B	"C" CHANNEL (2 PCS)
C	4" LONG BOLT (4 PCS)
D	7/8" LONG BOLT (4 PCS)
E	NYLON LOCK NUT (8 PCS)

## EASY MOUNT KIT INSTRUCTIONS

- 1) Assemble the clamp plate to the mounting rail and the "C" channel using one 7/8" Bolt and one Nylon Lock Nut. Be sure to note the direction of the bolt in the "Mounting Rail" and "C" Channel. (See Fig. 1).

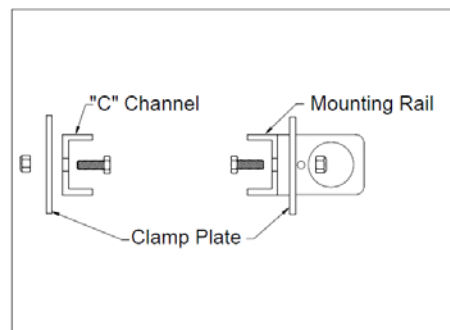
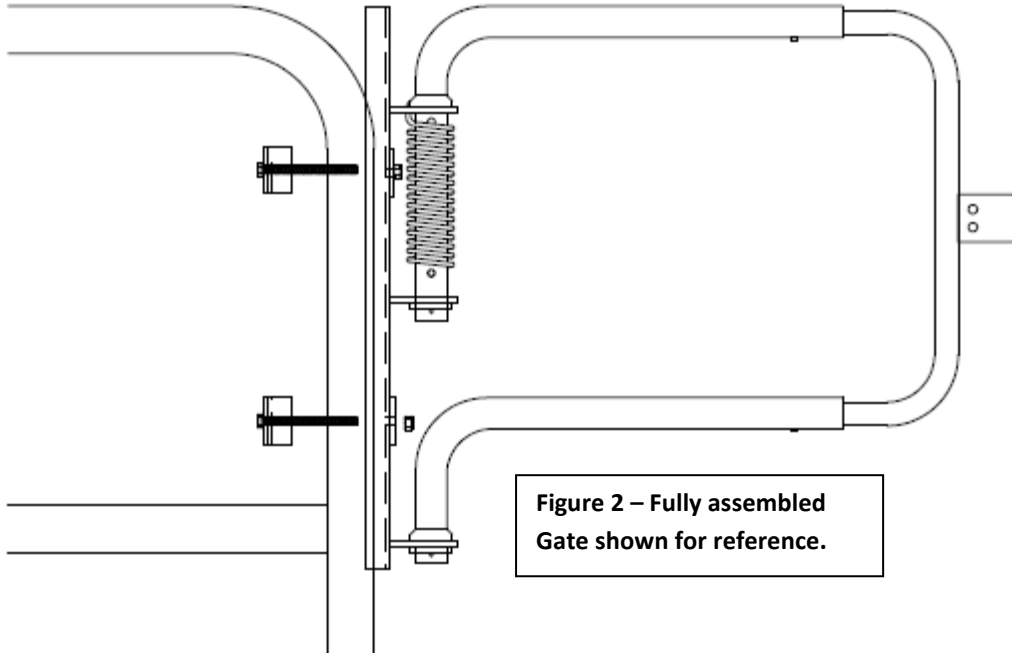
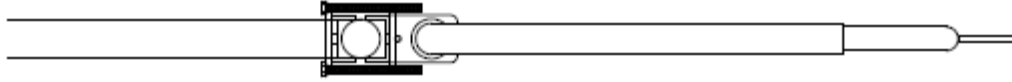


Figure 1.

- 2) Place the "Mounting Rail" against your existing handrail in your preferred location. Attach each "C" Clamp to the "Mounting Rail" using 2 – 4" bolts and 2 – nylon locking nuts as shown below. **(See Fig 2).** Be careful not to over tighten the 4" bolts which could cause damage to railing or gate.



- 3) Return to **step 3)** of the SGS-R Safety Gate Mounting and Assembly Instructions for final assembly and adjustment information.